

Spiral Heat Exchanger



KSHS-1H

Engineered and designed to be reliable and durable which can handle various heat transfer requirements. With its self-cleaning feature, it can efficiently handle slurry, viscous fluid even dirty media. More so, with its robust and efficient design, spiral plate heat exchanger can be used for cooling, heating, or even heat recovery.

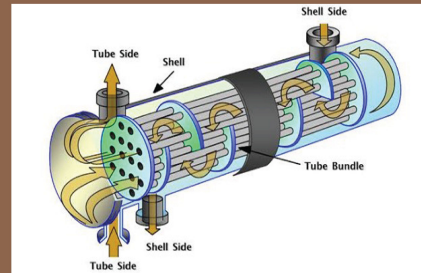
Made by:

محمد إيهاب محمد زيد

226-2020

المستوى الثاني

Shell and Tube Heat Exchanger



device in which two fluids, one through the tube side and the other through the shell side, circulating at different temperature conditions, exchange heat through the walls of the tubes, without direct contact between them, and it used to condense the exhaust steam exiting the turbine into condensate water which is recycled back to be turned into steam.

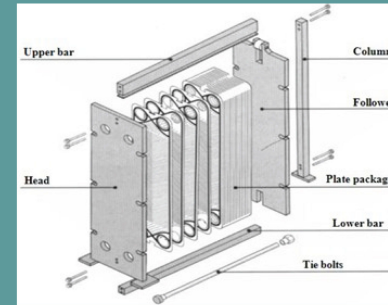
Made by:

جنى طه ابو حجازي

105-2020

المستوى الثاني

Plate Heat Exchanger



each plate has a confined, concave tubular shell. The plates are arranged that thin channels are rectangular in shape developed to change the heat through partial pieces, and girdled by gaskets to control the fluid flux, these gaskets are arranged in such a way that only one type of liquid distributes on one plate, and another fluid distributes on the coming plate.

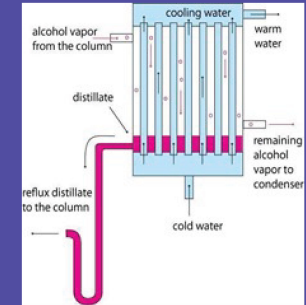
Made by:

سامح محمد الاسمر

139-2020

المستوى الثاني

Partial Condenser



Used in a distillation process in which only part of the vapor from the top of the distillation column condenses and returns as reflux, the rest of the vapor is used as the top product, this approach is commonly employed when there are very light components that required a high column pressure or a low condenser temperature.

Made by:

السيد محمد الباز

66-2020

المستوى الثاني